

Caution | Please Read the Manual Before Use.
Real Color of Product and Catalog Image Color Can Be Different.
Contents in This Catalog Can Be Changed Without Any Notice.



TOP RB SERIES



TOP RB SERIES

Product Catalog

MX On Corporation

HEAD OFFICE ADDRESS: 11-35, Simin-daero 327beon-gil, Dongan-gu, Anyang-si, Gyeonggi-do 14055, Republic of Korea
TEL: 82-31-465-3366
FAX: 82-31-465-3355

V 1.0E 260610

mxon.co.kr/eng

MX On Corporation Is an AX·DX-Based Smart Factory Total Solution Platform Company with Technical Expertise Extending from HMI/SCADA Development and Manufacturing to Robot Control and Logistics Automation.

TOPRB SERIES

CONTENTS

Industrial Field Operation 04P

Industrial IoT Gateway

TOP Design Studio 06P

Key Features

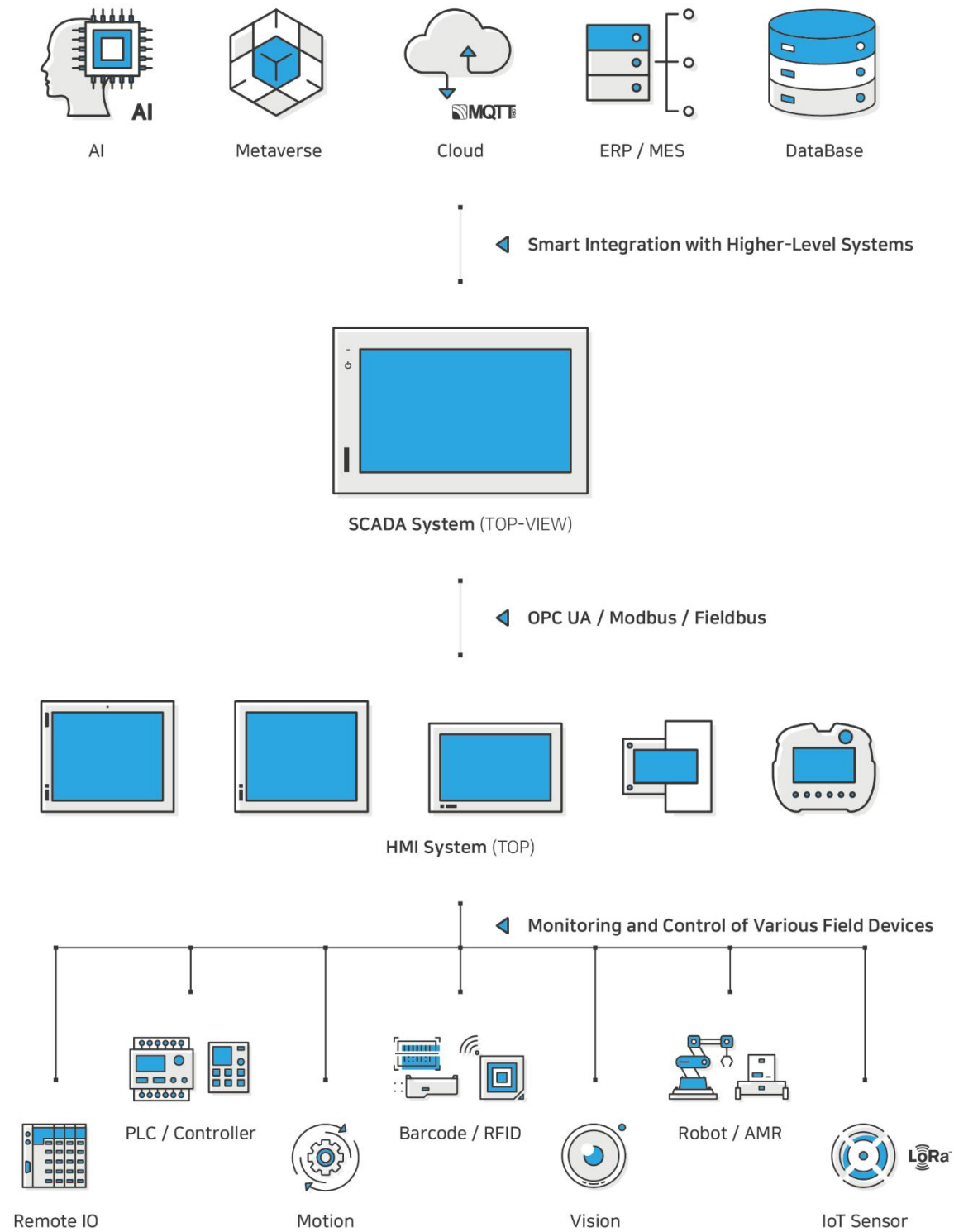
TOPRB SERIES 08P

HMI Basic Series

Global Networks 12P

Purchase and Technical Service

HMI (TOP) / SCADA (TOP-VIEW) Operation in Industrial Sites



KEY FEATURES

400+ Protocol

Supports Over 400 Industrial Communication Protocols

Provides Stable Data Integration Between Equipment and Systems by Supporting a Wide Range of Industrial Communication Protocols, Enabling Flexible System Configuration and Operation Even in Complex Industrial Environments.

21 CFR Part 11

21 CFR Part 11 Compliance

Compliant with the U.S. FDA's 21 CFR Part 11 Standards, Providing a Safe and Efficient Work Environment Through Operator Authentication, Supervisory Control History Tracking, Database Management, and PDF Management.

OPC UA

Industrial-Standard OPC UA Support

Through the Forward-Looking and Highly Extensible OPC UA Protocol, It Enables Reliable Data Collection and Management, Ensuring Seamless Integration with Higher-Level Systems.

SECS / GEM

SECS / GEM Protocol Support

Supports HSMS SECS/GEM Communication Protocols Used in the Semiconductor Industry, Providing Reliable Data Communication Tailored to Specific Operational Scenarios.

VNC

Proprietary VNC Provided

Our High-Performance, In-House Developed VNC Allows Remote Access to TOP & TOP-VIEW Screens in Industrial Environments, Enabling Real-Time Monitoring and Control via Mobile Devices, Tablets, and PCs.

SMS & Email

SMS & Email Dispatch

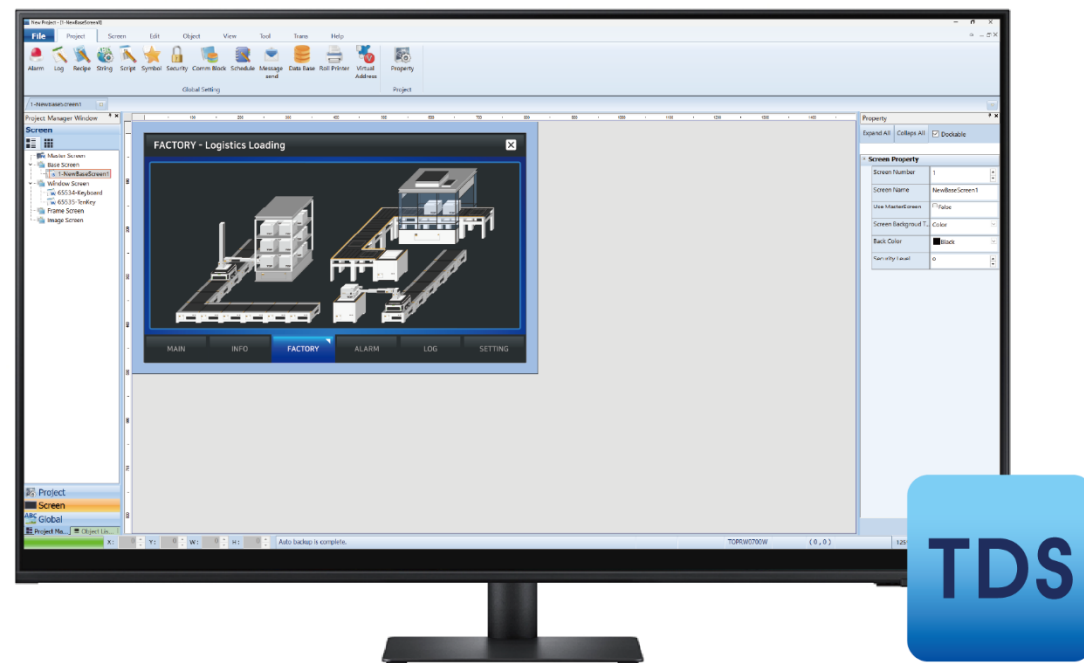
Automatically Sends SMS and Emails Stored in the Program According to On-Site Conditions, Allowing Supervisors or Customers to Instantly Check the Factory Status.

TOP Design Studio

TOP Design Studio is software for creating and editing HMI project files, available as a free download from the MX On website (mxon.co.kr/eng).

In Short:

- **Intuitive UI** Easy for anyone to use
- **Legacy model Migration** ATOP / XTOP
- **Advanced animations** Vivid
- **Training** MX On Training room
- **YouTube** Accessible anytime, anywhere



TOP Design Studio

KEY FEATURES



Easy function creation [Effects & Actions]

Functions are implemented using a unified [Condition] - [Effect] - [Action] structure, enabling consistent behavior across all object types.



Offline / Online Simulator

- * **Offline Simulator:**
Allows you to test-run projects directly in TDS without TOP or a controller.
- * **Online Simulator:**
Enables test operation of projects in TDS while running the actual controller program connected to a PC (2-hour time limit).



Various image libraries

Offers 16M full-color images, scalable vector graphics, and a 3D library for enhanced visual depth.



Optimized Data Analysis

TDS provides efficient data search, table monitoring, and intuitive analysis through multiple chart types.

JavaScript

JavaScript Programming Support

TDS supports JavaScript programming, enabling efficient project expansion from simple commands to advanced logic with sample code.



HMI-SCADA Project Compatibility

TDS enables HMI and SCADA project creation with seamless conversion between TOP and TOP-VIEW.

TOPRB SERIES

HMI Basic Series

INTERFACE *Varies by model

- SERIAL 3(2) CHANNEL
- ETHERNET 2(1) CHANNEL
- USB HOST
- USB DEVICE

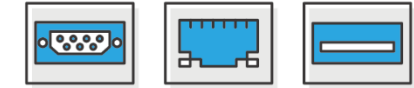


FEATURES



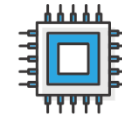
Largest Collection of Industrial Communication Protocols

Extensive Compatibility with Over 400 Controllers
Supports Latest Industrial Networks, Including Modbus and EtherNet/IP



Optimized Interface Configuration

Provides Sufficient Connectivity and Scalability
Even in Complex Industrial Environments
Equipped with 3 Serial Ports, 2 Ethernet Channels,
and 2 USB Ports



Quad Core CPU

Equipped with a Quad-Core CPU to Support
High-Speed Processing



16M Full Color

Bright and Vivid Full-Color Display,
Supporting Vector and 3D Libraries



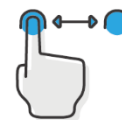
Minimal-Bezel Compact Design

Sleek Design with Enhanced Usability
Slim Form Factor Ideal for Installation in
Limited Spaces



High-Resolution Support up to 1024 x 600

Delivers an Expanded Workspace with a
Wide screen Display



Touch Drag Function

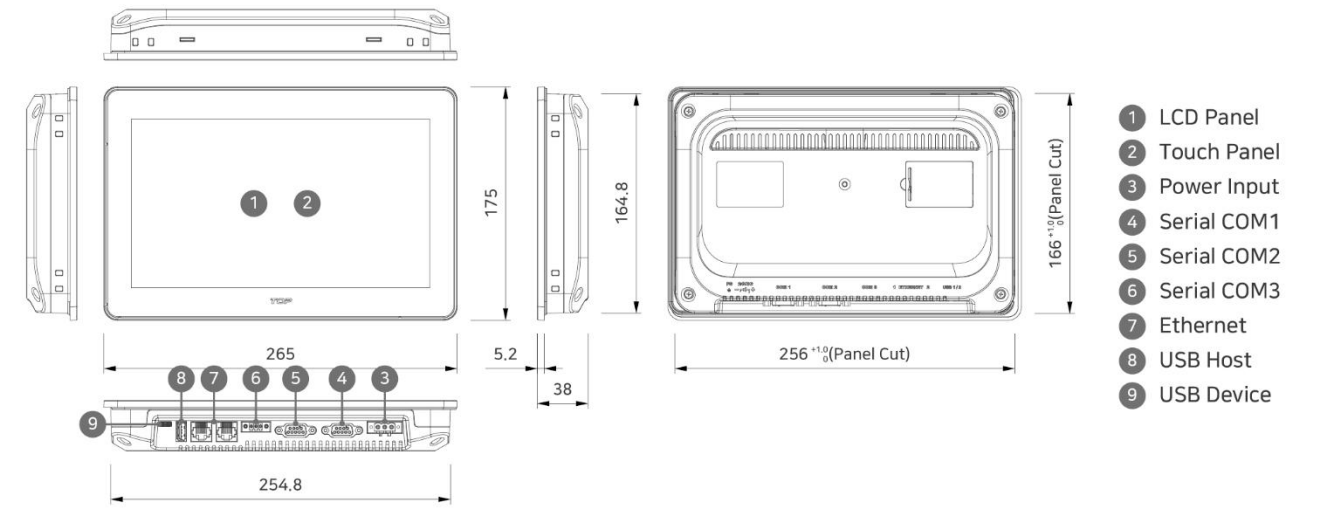
Allows Drawing on the Screen to Leave Memos or
Interactively Drag Down Top Menus

TOPRB SPECIFICATIONS

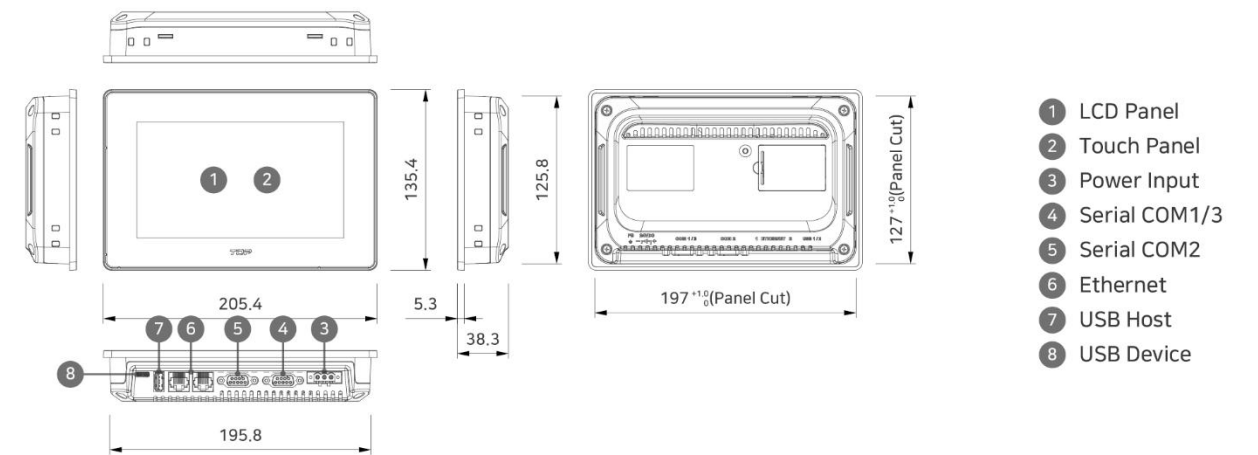
Functional	TOPRB1000WD	TOPRB0700WD	TOPRB0400WD	
Display	Display Type	10.1" TFT Color	7" TFT Color	4.3" TFT Color
	Color		16M Colors	
	Display Area(mm)	222.72 x 125.28	154.08 x 85.92	95.04 x 53.86
	Resolution(dot)	1024 x 600	800 x 480	480 x 272
	Brightness Level		10 Levels(by software)	
	Backlight Type		LED	
Touch	Backlight Life		50,000 hours	
	Touch Type		Analog resistive film	
	Resolution(Cell)	1024 x 600	800 x 480	480 x 272
	Touch Life		1 million times or more	
Serial COM1	RS-232C Asynchronous Data bit: 7/8 bits, Stop bit: 1/2 bits, Parity bit: None/Odd/Even Baud rate: 2400~115.2kbps Connector: DSUB 9pin x 1			
	RS-232C, RS-422/485 Asynchronous Data bit: 7/8 bits, Stop bit: 1/2 bits, Parity bit: None/Odd/Even Baud rate: 2400~115.2kbps Connector: DSUB 9pin x 1		RS-422/485 Asynchronous Data bit: 7/8 bits, Stop bit: 1/2 bits, Parity bit: None/Odd/Even Baud rate: 2400~115.2kbps Connector: DSUB 9pin x 1	
Interface	Serial COM3	RS-485 Asynchronous Data bit: 7/8 bits, Stop bit: 1/2 bits, Parity bit: None/Odd/Even Baud rate: 2400~115.2kbps Connector: 3.5mm 3pin x 1	RS-485 Asynchronous Data bit: 7/8 bits, Stop bit: 1/2 bits, Parity bit: None/Odd/Even Baud rate: 2400~115.2kbps Connector: DSUB 9pin x 1	-
	Ethernet	IEEE802.3i/IEEE802.3u, 10BASE-T/100BASE-TX Connector: RJ-45 x 2		Connector: RJ-45 x 1
	USB Host	USB 2.0 Compatible, Output 5Vdc/0.5A Support: USB Storage, USB Barcode Scanner(Standard Keyboard Protocol) Connector: USB Type-A x 1		
Memory & Others	USB Device	USB 2.0 Compatible, Max 5m Connector: USB Type-C x 1		
	Printer	Roll printer(EPSON protocol): RS-232C		
	Screen Memory	128MB		
Power	Real Time Clock	Built in		
	Status LED	1 LED(Operation) Built in		
	Input Voltage	24Vdc(20 ~ 28Vdc)		
Environment	Power Consumption	15W		
	Voltage Sag	24Vdc, Within 10ms		
	Insulation Resistance	500Vdc, 10MΩ		
Structure	Operation Temperature(°C)	-10 ~ +50		
	Storage Temperature(°C)	-20 ~ +60		
	Operation Humidity(%RH)	0 ~ 90(No dew)		
	Atmosphere	No corrosive gas		
	Vibration Endurance	Amplitude: 10sF < 25Hz(2G) X, Y, Z each direction(for 30 minutes)		
	Noise Immunity	1000Vp-p(Pulse width 1μs)		
	Electrostatic Discharge	Connective discharge from EN61000-4-2: ±4kV		
	Shock Endurance	10G X, Y, Z each direction(for 3 times)		
	Ground Connection	Class 3(100Ω or less)		
	Protection Classification	IP66		
Structure	Certification	CE, UL/cUL		
	Panel Cut(mm)	256 x 166	197 x 127	120 x 91
	External Dimension(mm)	265 x 175 x 38	205.4 x 135.4 x 38.3	126.6 x 97.6 x 38.2
	Weight(kg)	0.8	0.5	0.2
	Cooling System	Natural air circulation		
Case Material	Plastic			

DRAWING

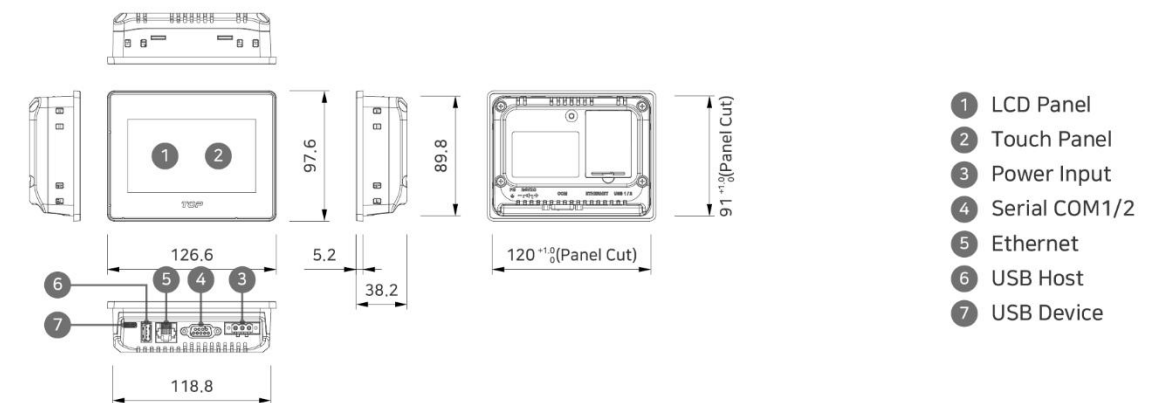
TOPRB1000WD



TOPRB0700WD



TOPRB0400WD

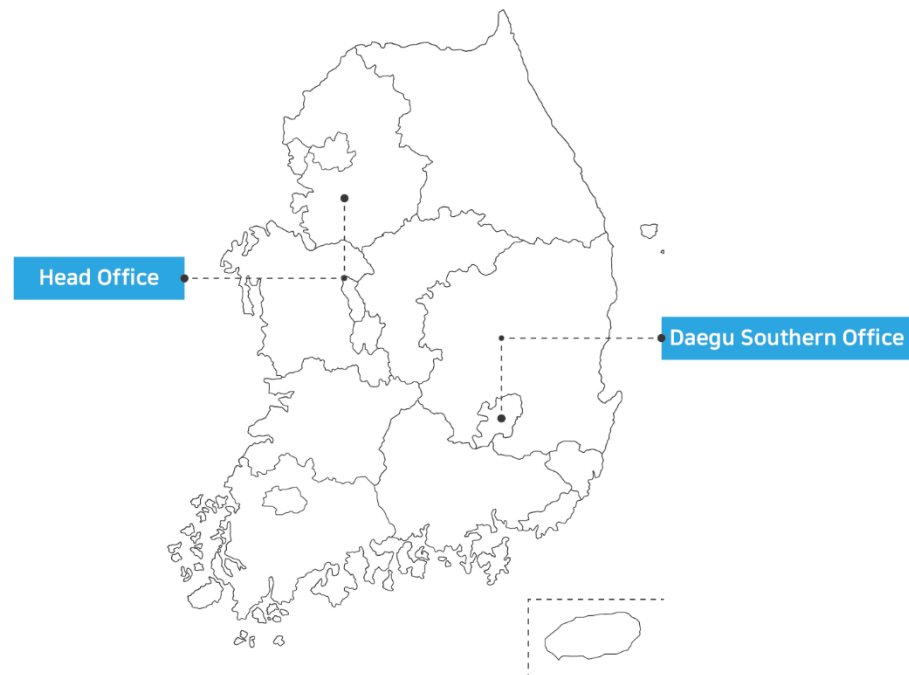


GLOBAL BUSINESS NETWORK



More than 20 Overseas Partners

China, the United States, Vietnam, Japan, South Africa, Turkiye, Singapore, Russia, Greece, France, Jordan, Honduras, Nigeria, Indonesia, India, Israel, Iran, Thailand, Malaysia, and more.



More than 40 Domestic Partners

Seoul, Gyeonggi, Daejeon, Daegu, Gwangju, Ulsan, Changwon, Busan, and more.

MX On Official YouTube Channel

Access a Wide Range of Educational Content and the Latest Updates from MX On, Faster Than Anywhere Else



Commitment to Our Customers

Dialogue with Customers – Putting Customers First and Creating Value Together
 Sustainable Growth – Achieving Reliability and Productivity Through Continuous R&D
 Embracing New Changes – A Total Smart Factory Solution Platform Company Based on AX·DX